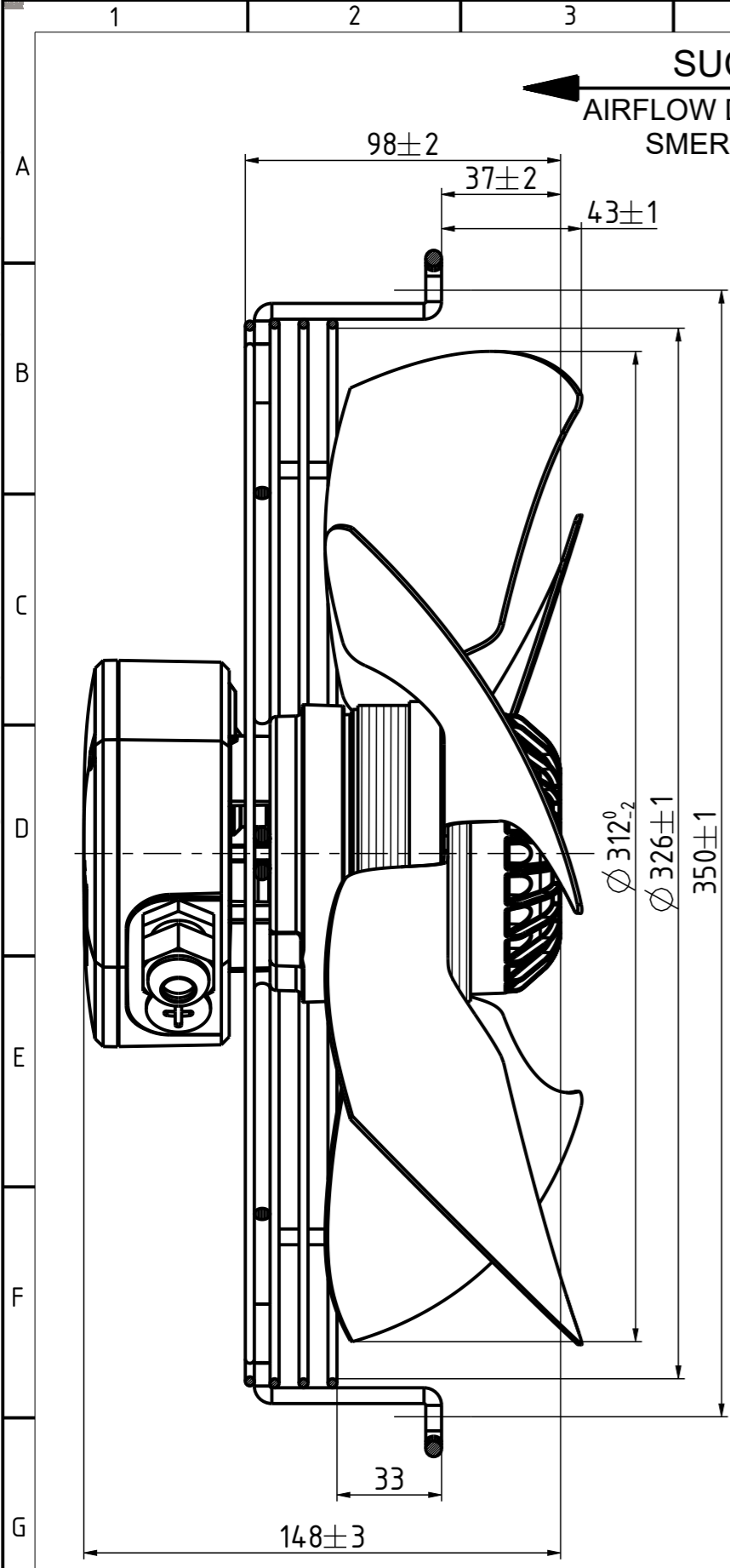
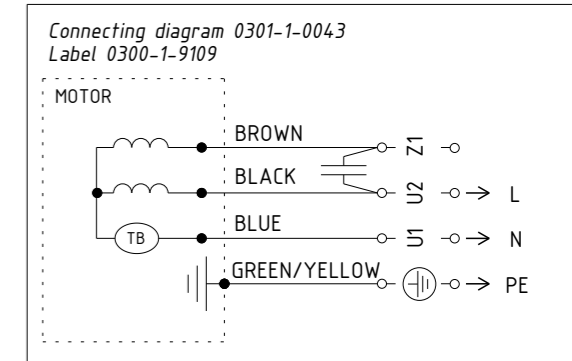
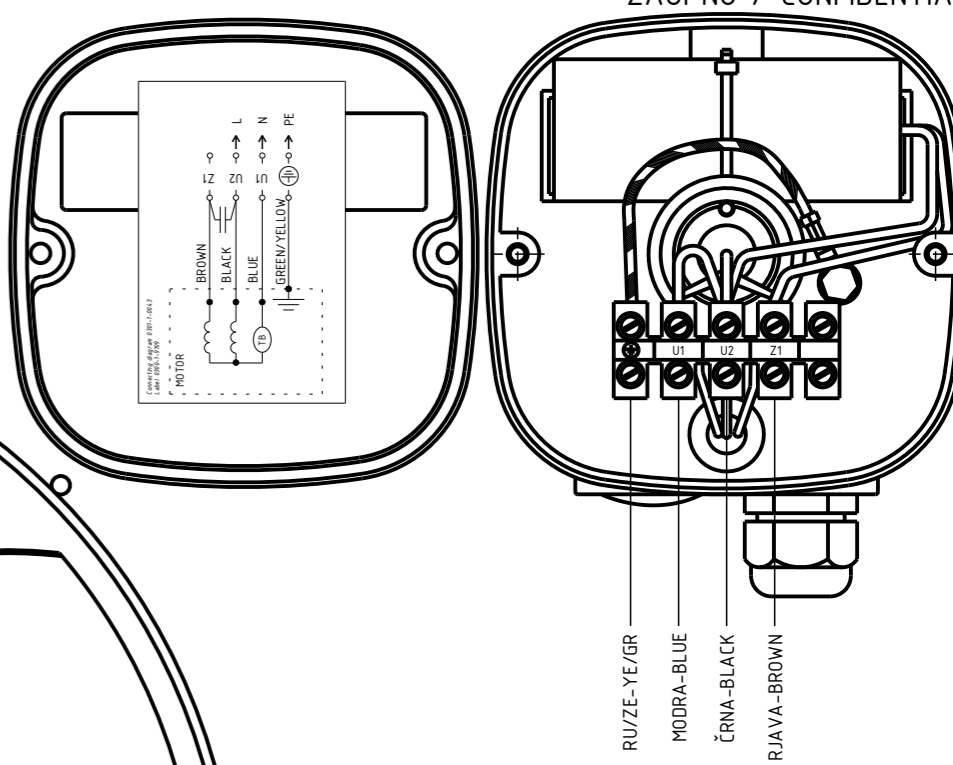
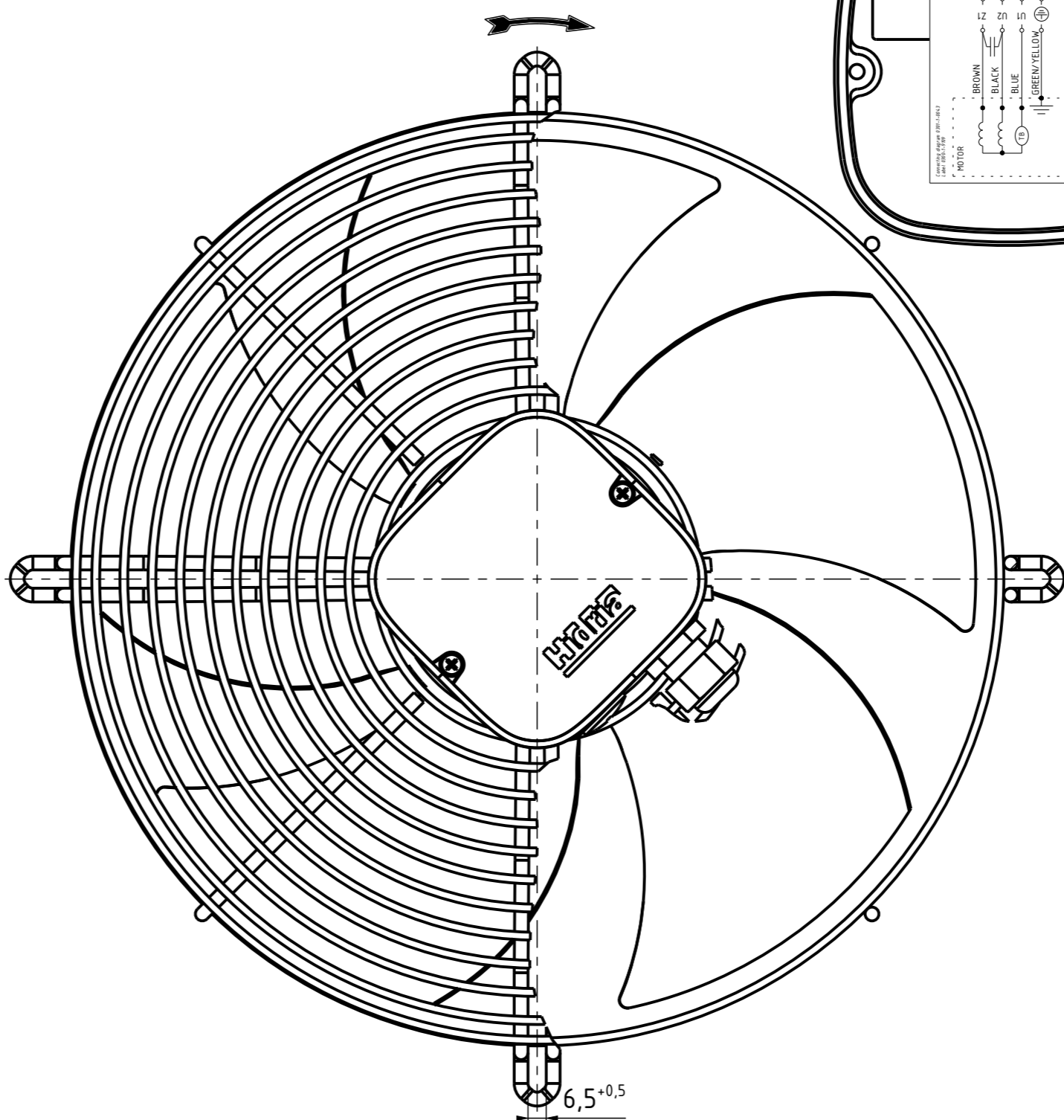


All drawings, regardless of form, are owned by Hidria d.o.o. and are strictly confidential and present copyright. Intellectual Property Rights as follows rights under the laws of patents, petty patents, design patents and registered designs, copyrights, trade secret rights, and similar exclusive rights in industrial property connected with the drawings are reserved by Hidria Rotomatika d.o.o.. Disclosure to any third party is strictly forbidden.



**SUCKING**  
**AIRFLOW DIRECTION**  
**SMER ZRAKA**



Vsebino glej list 2  
 Contents on page 2

**Hidria** MADE IN SLOVENIA **CE UK CA** DATE  
 R09R-3130HA-4M-3509 VT0603  
 1~230V 50/60Hz 90/120W 0,40/0,55A  
 1350/1500RPM IP54 INS.CL.155 C=3µF/450V  
 TH.PROT. ROT. ← 0309-4-1061  
 SN:XXXX\*XXXXX

QR code

\*serijska številka  
 \*serial number

AI	AI	Sprememba vsebine QR kode v nazivni nalepki. Risba v Windchillu je skladna z risbo v arhivu. QR code content change in nominal data label.	8.7.2025	Uroš K.
AH	AH	Zamenja se stator sestav 0309-2-1233 z 0309-2-2176. Risba v Windchillu je skladna z risbo v arhivu. Stator change from 0309-2-1233 with 0309-2-2176.	29.4.2024	Uroš K.
Verzija Artikla: Verzija risbe: Opis spremembe: Article revision: DRW Revision: Description of change:		Datum: Date:		Izdelal: Produced:
KONSTRUIRAL / DRN: 08.07.2025 Uroš Kunc		POVRŠINSKA OBD. SURFACE TEXTURE		NAZIV: TITLE: <b>VENTILATOR R09R-3130HA-4M-3509</b>
ODOBRIL / APP: 10.07.2025 Dejan Šturm		MATERIAL		
Potrjeno/Approved		KODA MATERIALA MATERIAL CODE		KODA: CODE: <b>0309-4-1061</b> 0309-4-1061
<b>Hidria</b>		MASA: MASS:		
NETOL. MERE/UNTOL DIM ISO 2768-m		DZJ		VERZIJA ARTIKLA: REVISION ARTICLE: <b>AI</b>
MERILO/FORMAT 1:2/A3		DZJ		VERZIJA RISBE: DRW REVISION: <b>AI</b> LIST/SHEET: 1/2

Navodilo za kontrolo ventilatorja 0301-1-4566  
 Checking instruction 0301-1-4566

ZAUPNO / CONFIDENTIAL

