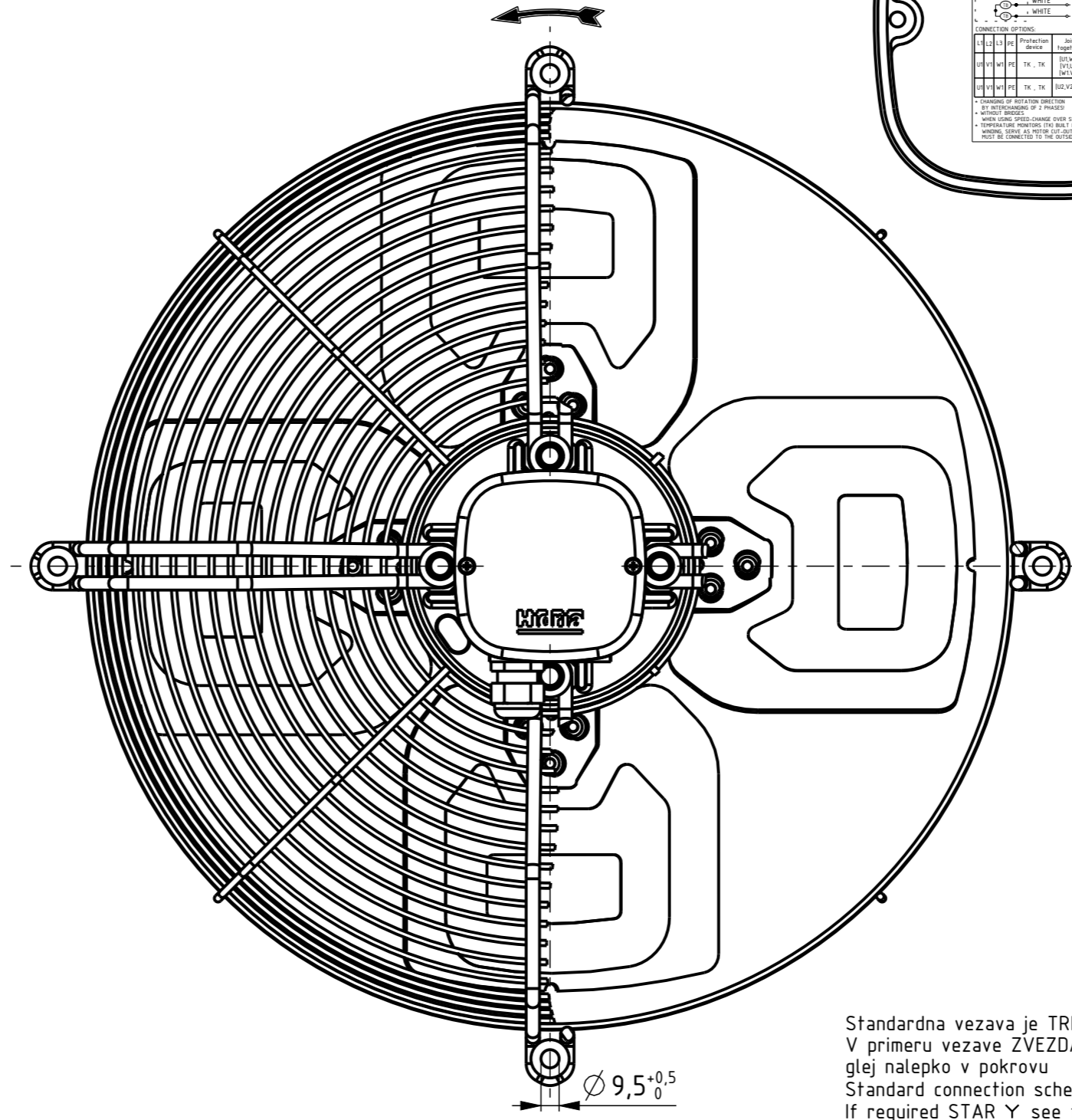
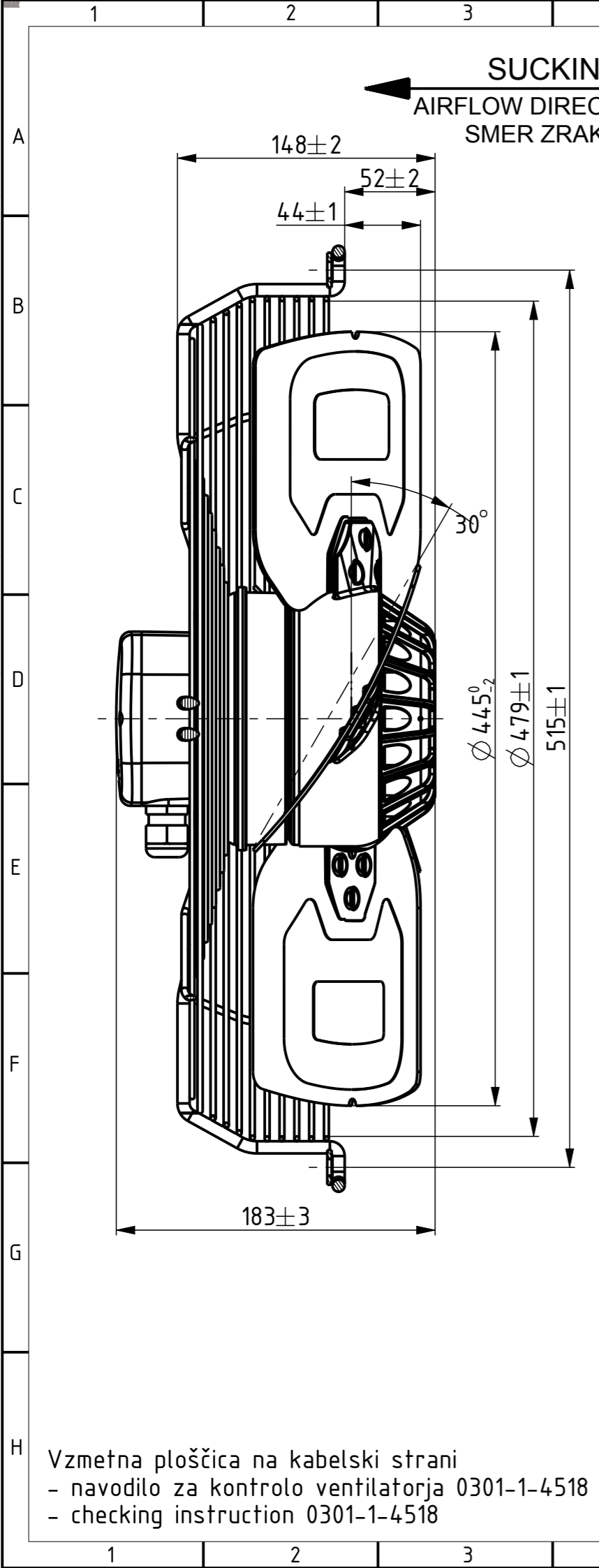
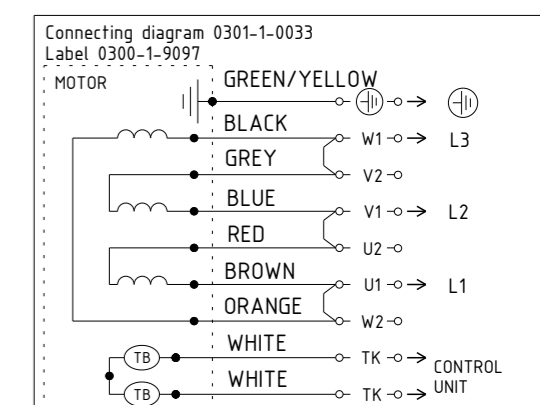
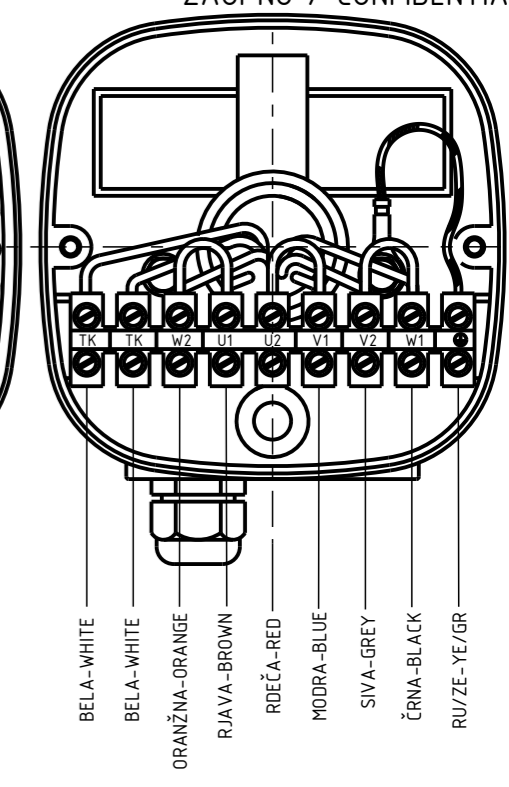
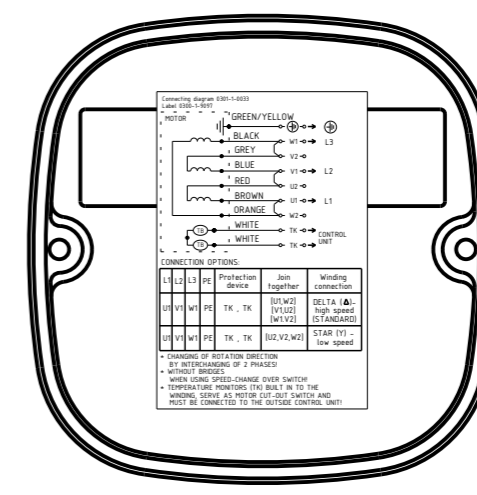


All drawings, regardless of form, are owned by Hidria Rotomatika d.o.o. and are strictly confidential and present copyright. Intellectual Property Rights as follows rights under the laws of patents, petty patents, design patents and registered designs, copyrights, trade secret rights, and similar exclusive rights in industrial property connected with the drawings are reserved by Hidria Rotomatika d.o.o.. Disclosure to any third party is strictly forbidden.



Standardna vezava je TRIKOT Δ
 V primeru vezave ZVEZDA Y
 glej nalepko v pokrovu
 Standard connection scheme is DELTA Δ
 If required STAR Y see the
 connection diagram in the cover



CONNECTION OPTIONS:

L1	L2	L3	PE	Protection device	Join together	Winding connection
U1	V1	W1	PE	TK, TK	[U1,W2] [V1,U2] [W1,V2]	DELTA (Δ) - high speed (STANDARD)
U1	V1	W1	PE	TK, TK	[U2,V2,W2]	STAR (Y) - low speed

* CHANGING OF ROTATION DIRECTION BY INTERCHANGING OF 2 PHASES!
 * WITHOUT BRIDGES
 * WHEN USING SPEED-CHANGE OVER SWITCH!
 * TEMPERATURE MONITORS (TK) BUILT IN TO THE WINDING, SERVE AS MOTOR CUT-OUT SWITCH AND MUST BE CONNECTED TO THE OUTSIDE CONTROL UNIT!

AB	AB	V nalepko z nazivnimi podatki se doda podatke za napetost 3-380-400V 60Hz. Risba v Windchillu je skladna z risbo v arhivu. Data for voltage 3-380-400V 60Hz added to nominal data label.	05.07.2018	Uroš K.
AA	AA	1. izdaja; Risba v Windchillu je skladna z risbo v arhivu.	06.05.15	Jure L.
Verzija Artikla:	Verzija risbe:	Opis spremembe:	Datum:	Izdelal:
Article revision:	DRW Revision:	Description of change:	Date:	Produced:

Hidria MADE IN SLOVENIA **CE** DATE
 R13R-4530A-4T2-35100 0313-4-0465
 3~400V 50Hz D/Y 360/230W 0,70/0,39A 1350/1100RPM MAX.AMB.70°C
 3~380-400V 60Hz D/Y 430/230W 0,74/0,40A 1415/950RPM MAX.AMB.60°C
 IP54 INS.CL.155
 TH.PROT. ROT.

ErP: Effes=32,0% (A,static) N=41,0

Potrjeno/Approved

Hidria

NETOL. MERE/UNTOL DIM ISO 2768-m
MERILO/FORMAT 33:100/A3

VENTILATOR
R13R-4530A-4T2-35100

KODA: 0313-4-0465
 0313-4-0465

VERZIJA ARTIKLA: AB
 VERZIJA RISBE: AB
 REVISION ARTICLE: DRW REVISION: 1/1

Vzmetna ploščica na kabelski strani
 - navodilo za kontrolo ventilatorja 0301-1-4518
 - checking instruction 0301-1-4518

Risbe so last družbe Hidria-Rotomatika d.o.o. in predstavljajo poslovno skrivnost in so avtorsko delo. Vse pravice iz patentov, blagovnih znamk in modelov povezanih z risbami pripadajo družbi Hidria Rotomatika d.o.o.. Vsak prenos tretjim osebam brez pismnega dovoljenja družbe Hidria Rotomatika d.o.o. je strogo prepovedan.