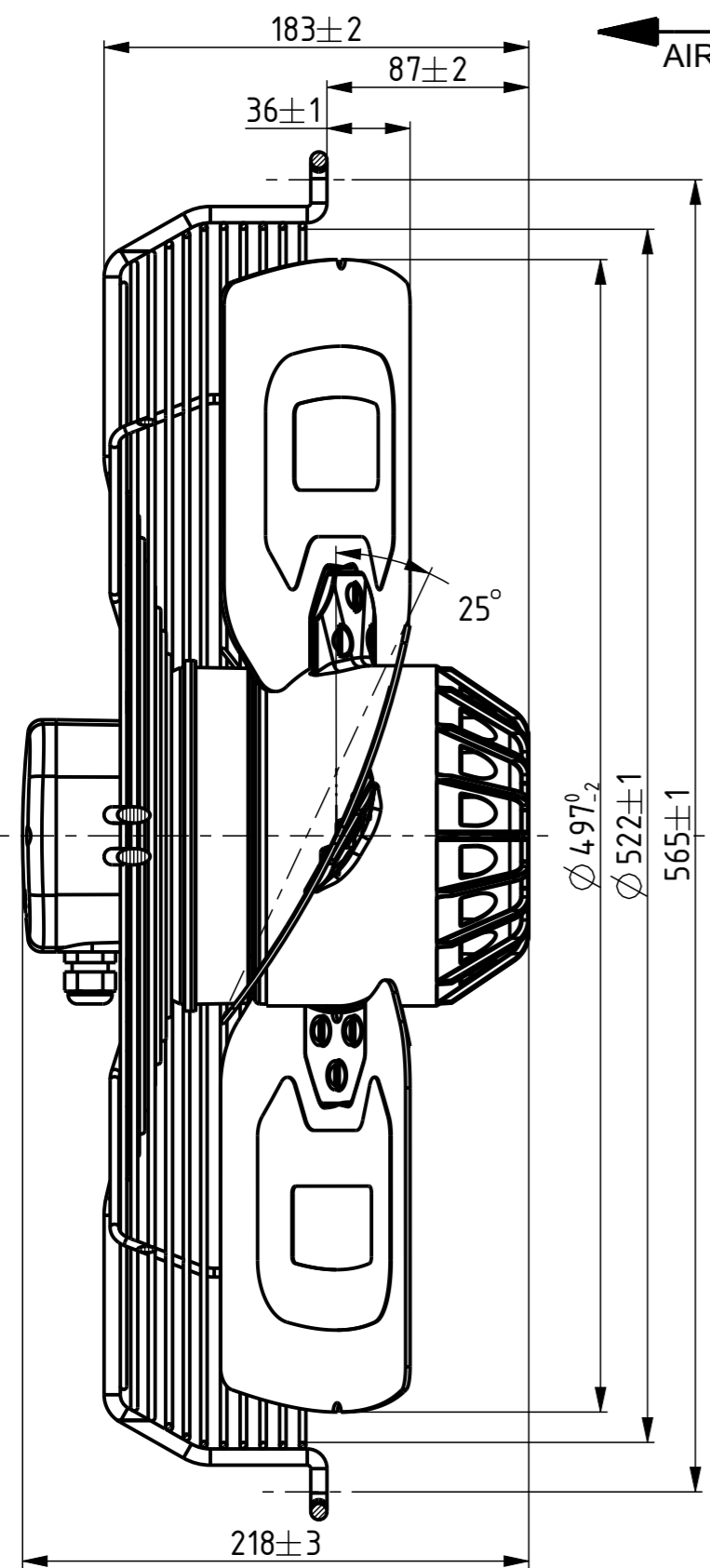
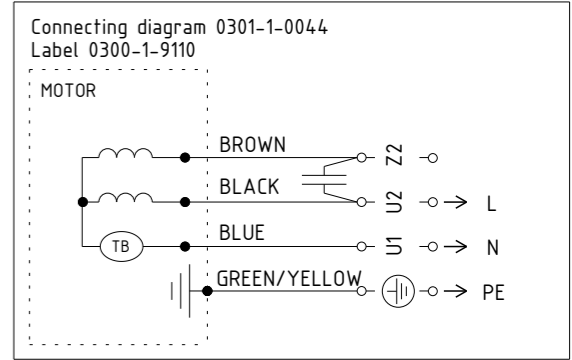
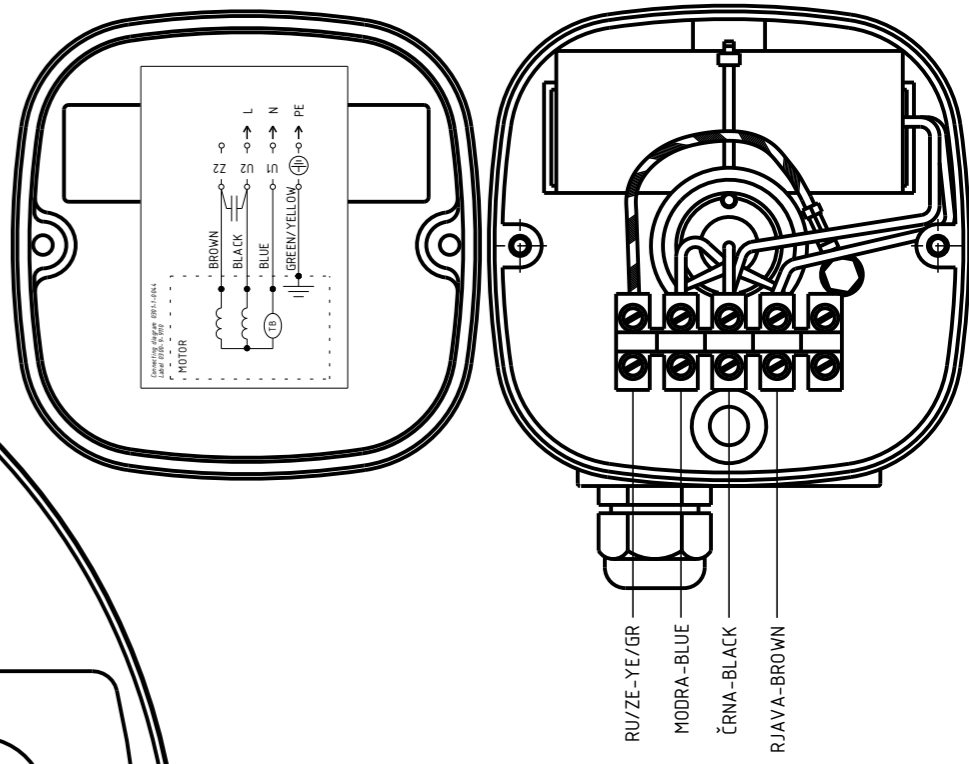
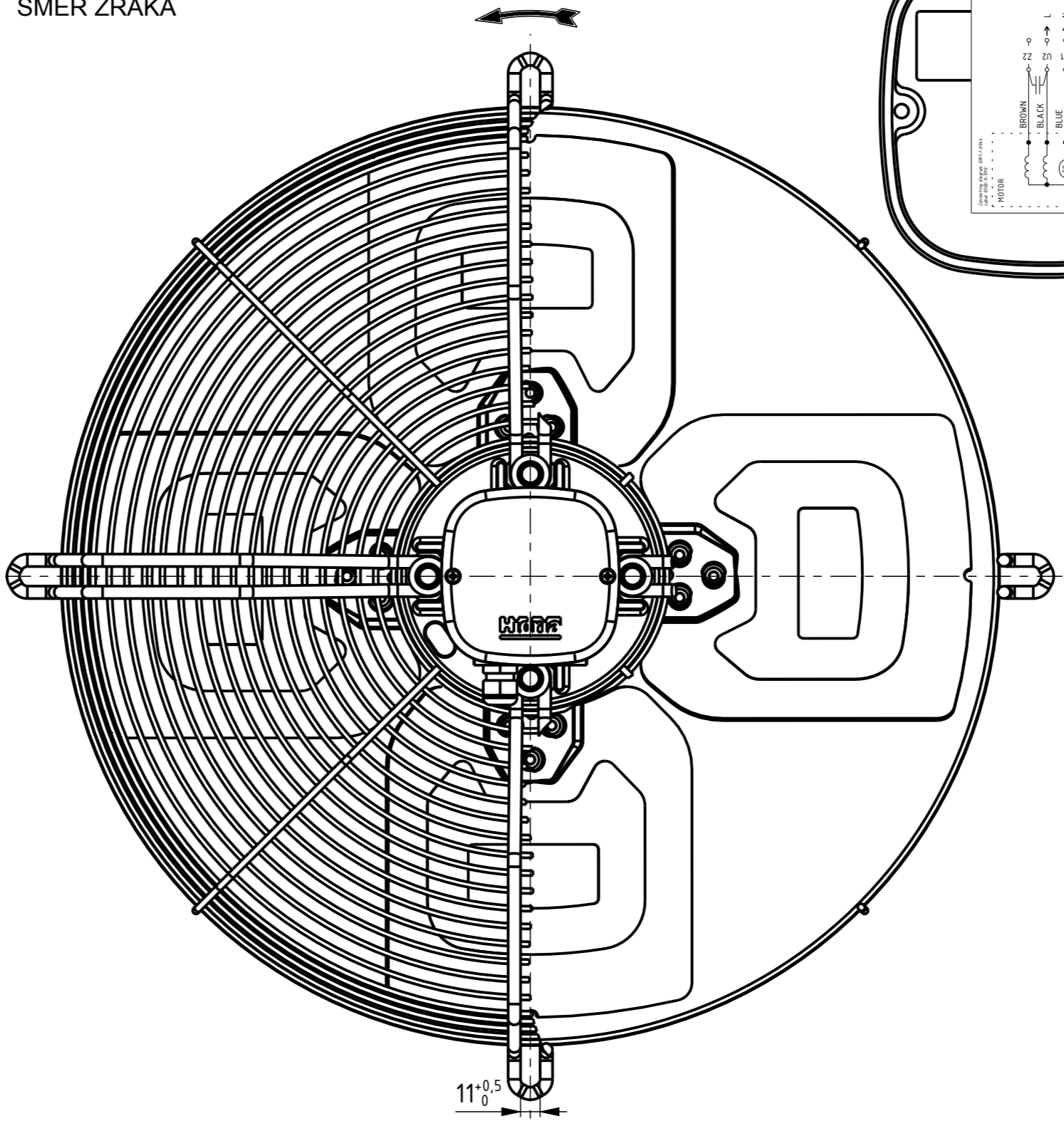


All drawings, regardless of form, are owned by Hidria d.o.o. and are strictly confidential and present copyright. Intellectual Property Rights as follows rights under the laws of patents, petty patents, design patents and registered designs, copyrights, trade secret rights, and similar exclusive rights in industrial property connected with the drawings are reserved by Hidria Rotomatika d.o.o.. Disclosure to any third party is strictly forbidden.



SUCKING
AIRFLOW DIRECTION
SMER ZRAKA



Opombe:
VENTILATOR NEBARVAN
Not coloured fan

- na pakirni škatli mora biti natisnjena koda kupca: USAF 13A
- na pakirno škatlo dodati EAC nalepko 0300-1-9479
- vzmetna ploščica na kabelski strani
- navodilo za kontrolo ventilatorja 0301-1-4718
- checking instruction 0301-1-4718

Hidria MADE IN SLOVENIA **EAC CE** DATE
 R13R-5025A-4M-7088 0313-4-0333 Code:USAF 13A
 1~230V 50/60Hz 500/740W 2,3/3,2A 1400/1580RPM
 IP54 INS.CL.155 MAX.AMB.60/50° C C=16µF/450V
 TH.PROT. ROT.
 ErP: Effes=33,3% (A,static) N=41,1

AE	AE	V nalepki z nazivnimi podatki se umakne logo Frascold, doda logo Hidria ter napis Made in Slovenia. Risba v Windchillu je skladna z risbo v arhivu. In nominal data label removed logo Frascold, added logo Hidria and text Made in Slovenia.	12.02.2019	Uroš K.
AD	AD	V nalepko z nazivnimi podatki se doda logo EAC, v opombe dodana opomba za dodajanje nalepke 0300-1-9479 na pakirno škatlo. Spremeni se verzija artikla z AC v AD. Risba v Windchillu je skladna z risbo v arhivu.	29.08.2017	Uroš K.
Verzija artikla: Article revision:		Verzija risbe: DRW Revision:	Opis spremembe: Description of change:	Datum: Date:
KONSTRUIRAL / DRN:		IME / NAME:	POVRŠINSKA OBD. SURFACE TEXTURE:	NAZIV: TITLE:
ODOBRIL / APP:		IME / NAME:	MATERIAL:	KODA: CODE:
Datum: 12.02.2019		Ime: Uroš Kunc	Površinska obd.: ISO 2768-m	VERZIJA ARTIKLA: 0313-4-0333
Datum: 14.02.2019		Ime: Tadej Lipušček	Materijal: KODA MATERIALA MATERIAL CODE	VERZIJA RISBE: AE
Potrjeno/Approved		Ime: Tadej Lipušček	Masa: MASA: MASS:	LIST/SHEET: 1/1
		Ime: Tadej Lipušček	Netol. mere/untol dim: NETOL. MERE/UNTOL DIM	
		Ime: Tadej Lipušček	Mero/forma: MERO/FORMAT	
		Ime: Tadej Lipušček	33:100/A3	