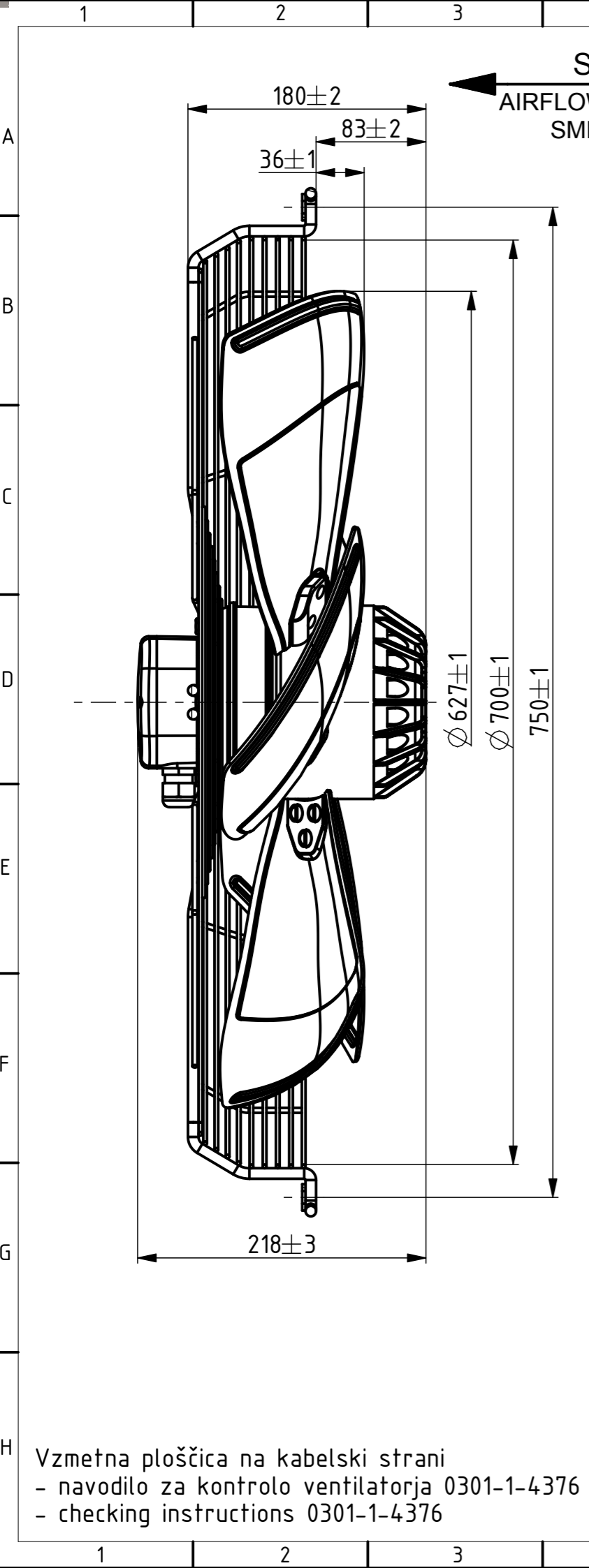
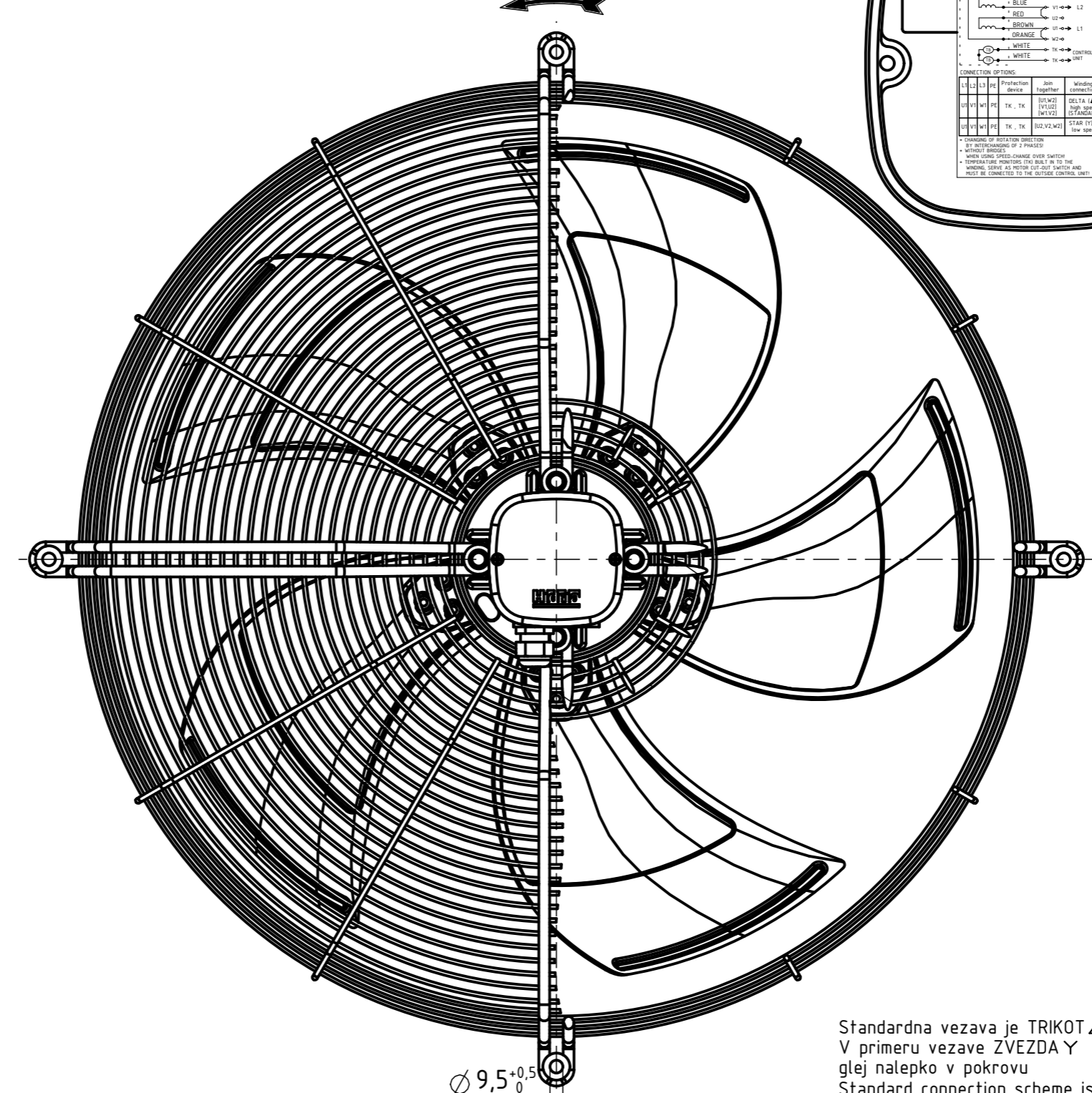


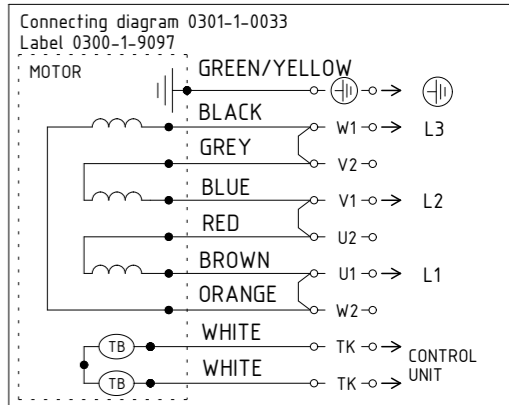
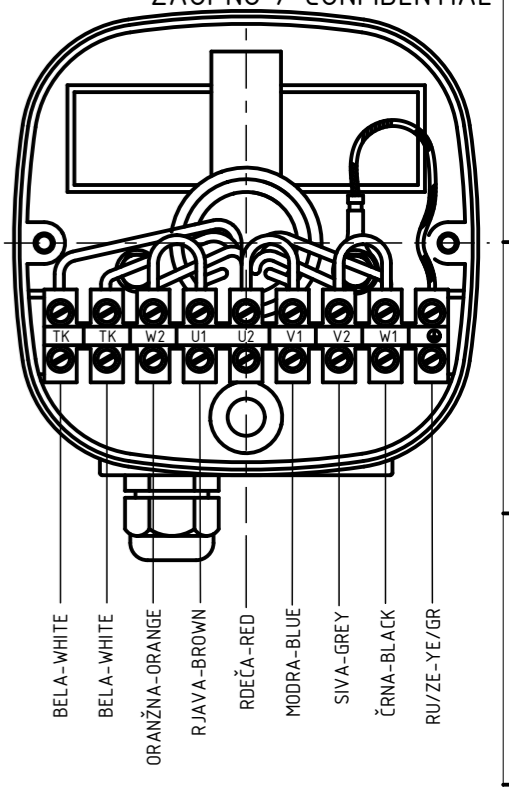
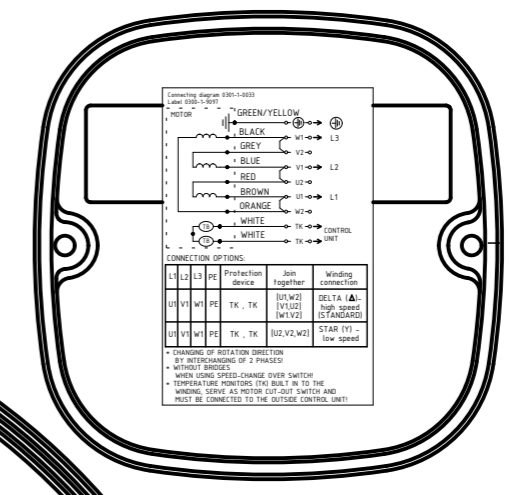
All drawings, regardless of form, are owned by Hidria Rotomatika d.o.o. and are strictly confidential and present copyright. Intellectual Property Rights as follows rights under the laws of patents, petty patents, design patents and registered designs, copyrights, trade secret rights, and similar exclusive rights in industrial property connected with the drawings are reserved by Hidria Rotomatika d.o.o.. Disclosure to any third party is strictly forbidden.



**SUCKING**  
**AIRFLOW DIRECTION**  
**SMER ZRAKA**



Standardna vezava je TRIKOT  $\Delta$   
 V primeru vezave ZVEZDA  $Y$   
 glej nalepko v pokrovu  
 Standard connection scheme is DELTA  $\Delta$   
 If required STAR  $Y$  see the  
 connection diagram in the cover



CONNECTION OPTIONS:

L1	L2	L3	PE	Protection device	Join together	Winding connection
U1	V1	W1	PE	TK, TK	[U1,W2] [V1,U2] [W1,V2]	DELTA ( $\Delta$ ) - high speed (STANDARD)
U1	V1	W1	PE	TK, TK	[U2,V2,W2]	STAR ( $Y$ ) - low speed

\* CHANGING OF ROTATION DIRECTION BY INTERCHANGING OF 2 PHASES!  
 \* WITHOUT BRIDGES WHEN USING SPEED-CHANGE OVER SWITCH!  
 \* TEMPERATURE MONITORS (TK) BUILT IN TO THE WINDING, SERVE AS MOTOR CUT-OUT SWITCH AND MUST BE CONNECTED TO THE OUTSIDE CONTROL UNIT!

Vzmetna ploščica na kabelski strani  
 - navodilo za kontrolo ventilatorja 0301-1-4376  
 - checking instructions 0301-1-4376

**Hidria** MADE IN SLOVENIA **CE** DATE  
 R13R-6330HA-6T2-7042 0313-4-1147  
 3~400V 50Hz D/Y 600/380W 1,25/0,65A 870/640RPM  
 cos  $\phi$ =0,70 MAX.AMB.40° C IP54 INS.CL.155  
 TH.PROT. ROT.   
 ErP: Effes=32,7% (A,static) N=40,1

AC	C	Spremeni se Erp podatke: Effes z 31,8% na 32,7% ter N z 39,2 na 40,1. Spremeni se verzija artikla z AB v AC. Risba v Windchillu je skladna z risbo v arhivu.	03.09.14	Jure L.
Verzija artikla: Article revision:	Verzija risbe: DRW Revision:	Opis spremembe: Description of change:	Datum: Date:	Izdelal: Produced:
KONSTRUIRAL / DRN:	03.09.2014	Uroš Kunc		
ODOBRIL / APP:	04.09.2014	Laharnar, Jure		
Potrjeno/Approved		NAZIV: TITLE: <b>VENTILATOR Hef</b> <b>R13R-6330HA-6T2-7042</b>		
<b>Hidria</b>		KODA MATERIALA MATERIAL CODE	MASA: MASS:	KODA: CODE:
NETOL. MERE/UNTOL DIM ISO 2768-m		0313-4-1147 0313-4-1147		
MERILO/FORMAT 1:4/A3		VERZIJA ARTIKLA: REVISION ARTICLE: <b>AC</b>		
		VERZIJA RISBE: DRW REVISION: <b>C.2</b> LIST/SHEET: <b>1/1</b>		